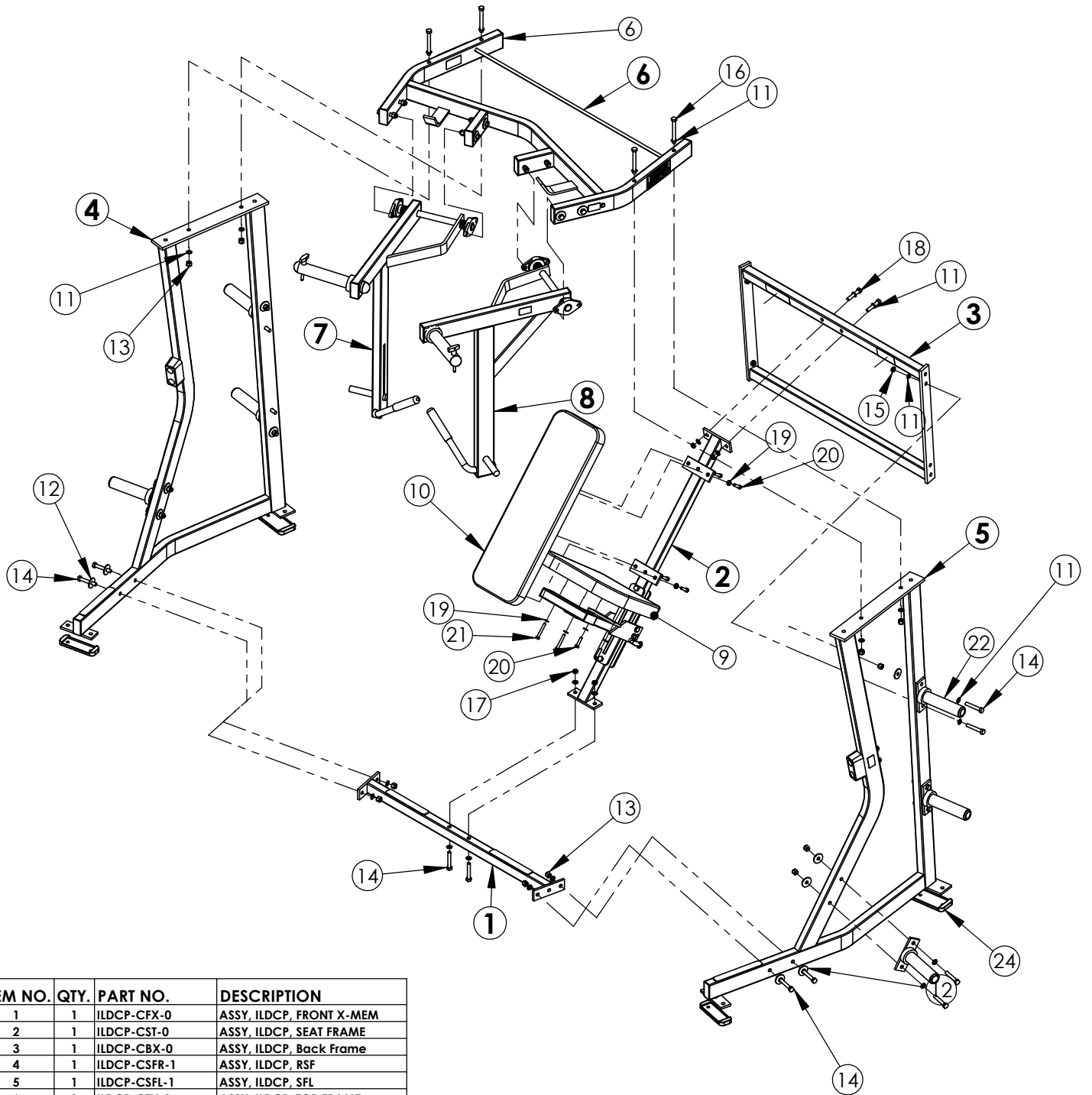


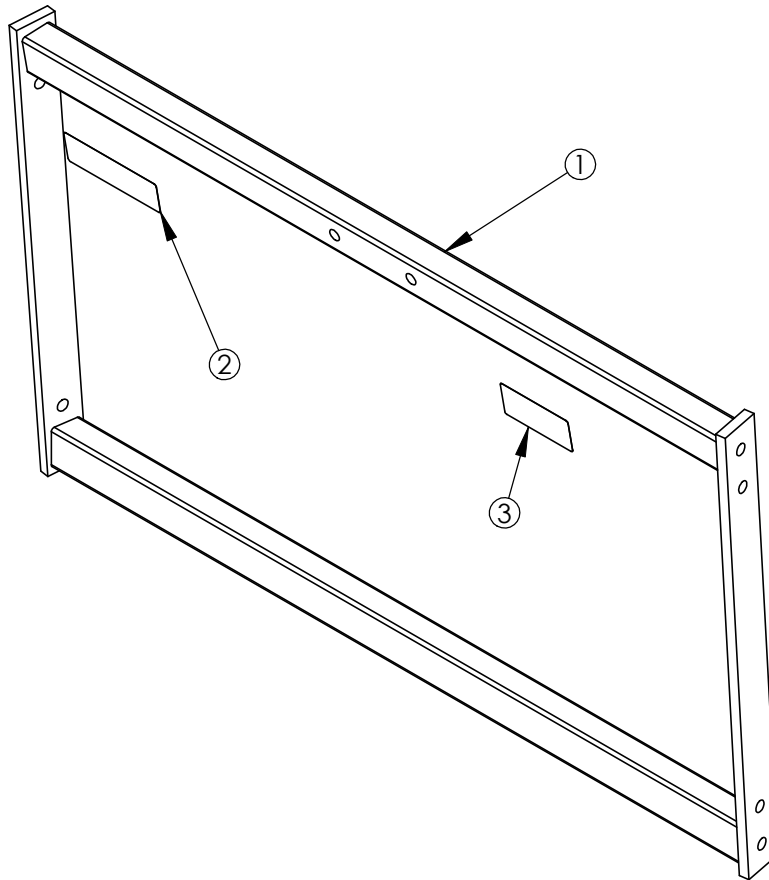
WEIGHT = 360 lb
LENGTH = 51"
WIDTH = 54"
HEIGHT = 68"

HAMMER STRENGTH EQUIPMENT ILDCP EXPLODED VIEW



ITEM NO.	QTY.	PART NO.	DESCRIPTION
1	1	ILDCP-CFX-0	ASSY, ILDCP, FRONT X-MEM
2	1	ILDCP-CST-0	ASSY, ILDCP, SEAT FRAME
3	1	ILDCP-CBX-0	ASSY, ILDCP, Back Frame
4	1	ILDCP-CSFR-1	ASSY, ILDCP, RSF
5	1	ILDCP-CSFL-1	ASSY, ILDCP, SFL
6	1	ILDCP-CTX-1	ASSY, ILDCP, TOP FRAME
7	1	ILDCP-CMAR-2	ASSY, ILDCP, RIGHT MARM
8	1	ILDCP-CMAL-2	ASSY, ILDCP, LEFT MARM
9	1	U-16-11	16X11 PAD
10	1	U-33-19	BACK PAD
11	36	WASH.5STAR	1/2" INTERNAL LOCK WASHER
12	12	H-BACK-WASH	BACKING WASHER
13	16	NUT.5LOCK	1/2 DIA THICK LOCK NUT
14	18	HHB.5X3	1/2 X 3 BOLT
15	4	NUT.5JAMLOCK	1/2 THIN LOCK NUT
16	4	HHB.5X4.5	1/2 X 4 1/2 BOLT
17	4	NUT.5JAMFINE	1/2IN JAM NUT FINE
18	2	HHB.5X2.5	1/2 X 2 1/2 BOLT
19	8	WASH.375SAE	3/8" SAE FLAT WASHER
20	6	HHB.375X1.5	STEEL BOLT 3/8 X 1.5
21	2	HHB.375X2.5	STEEL BOLT 3/8 X 2.5
22	6	H-HORN-ASSY	ASSY, WEIGHT HORN
23	2	MM-8	2 X 6 FLANGE RUBBER SLIPPER
24	2	MM-9	3 X 6 FLANGE RUBBER SLIPPER

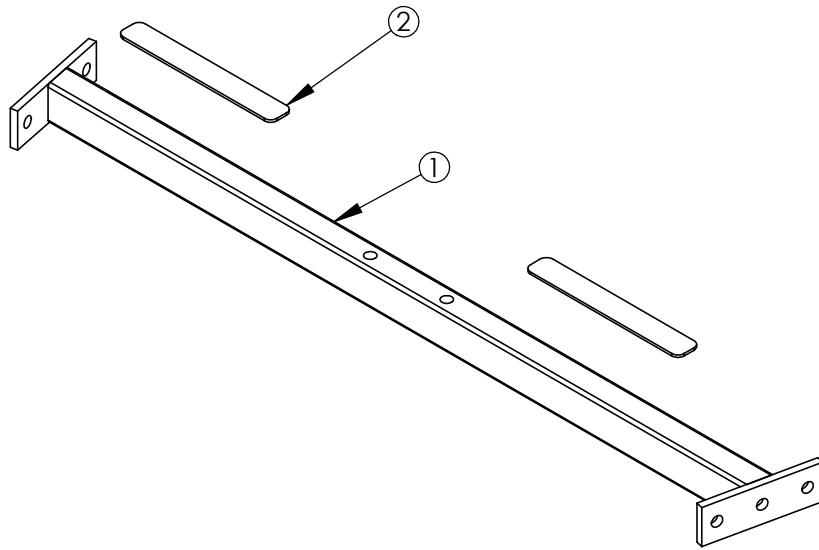
**HAMMER STRENGTH EQUIPMENT
ILDCP-CBX-0 BACK FRAME ASSEMBLY**



ITEM NO.	QTY.	PART NO.	DESCRIPTION
1	1	ILDCP-BX-0	WLDMT, ILDCP, BACK FRAME
2	1	IDDP	PRODUCT DECAL
3	1	8773701	SMALL WARNING HOR.

WEIGHT = 31 LB
 LENGTH = 42 1/4"
 WIDTH = 23 5/8"
 HEIGHT = 2"

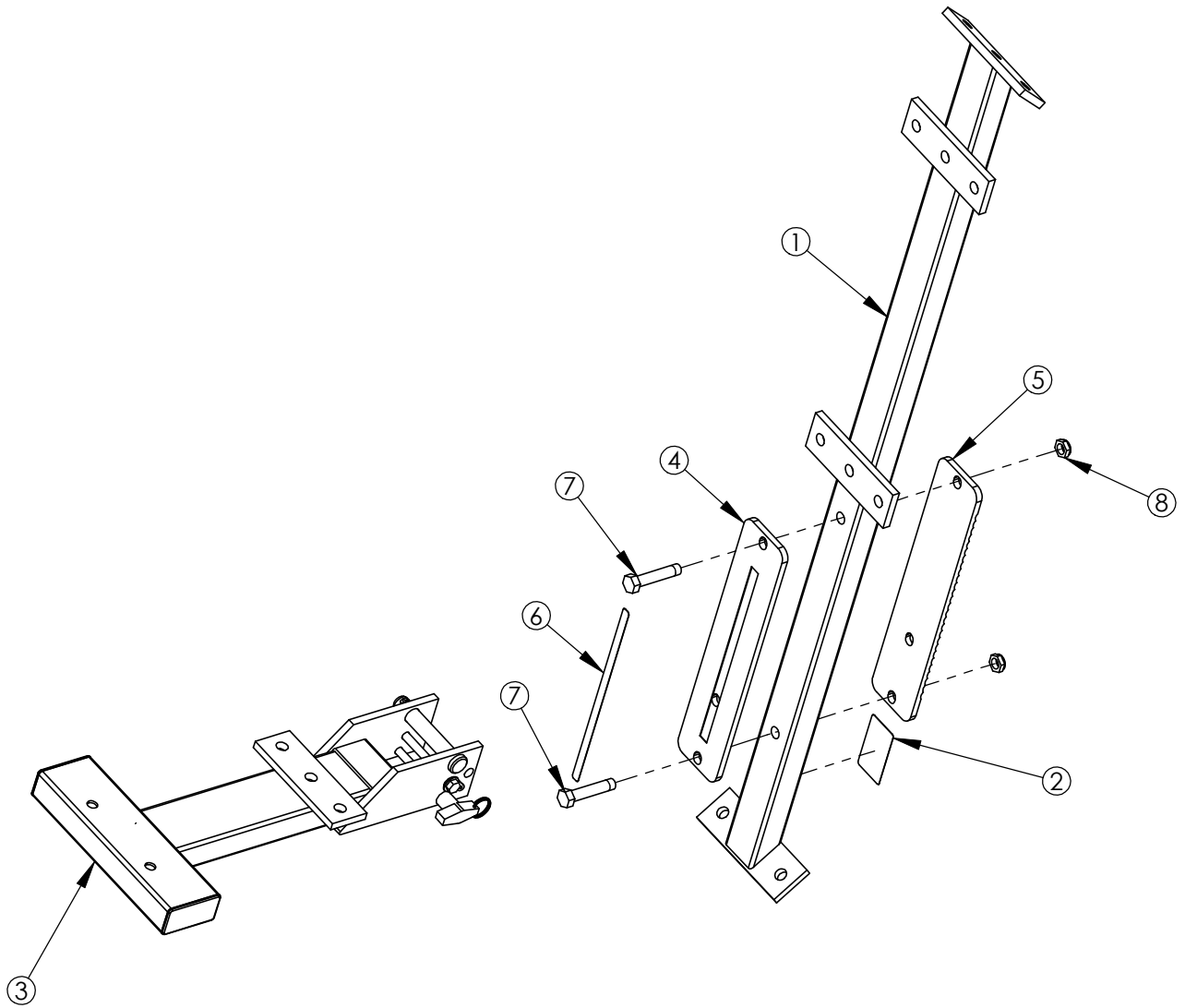
**HAMMER STRENGTH EQUIPMENT
ILDCP-FX-0 FRONT X-MEM ASSEMBLY**



WEIGHT = 12 LB
 LENGTH = 43 1/4"
 WIDTH = 6"
 HEIGHT = 2"

ITEM NO.	QTY.	PART NO.	DESCRIPTION
1	1	ILDCP-FX-0	Front Frame
2	2	NONSKID 1 X 9	1 1/4 X 9 Nonskid

HAMMER STRENGTH EQUIPMENT
ILDCP-CST-0 Seat Frame Assembly

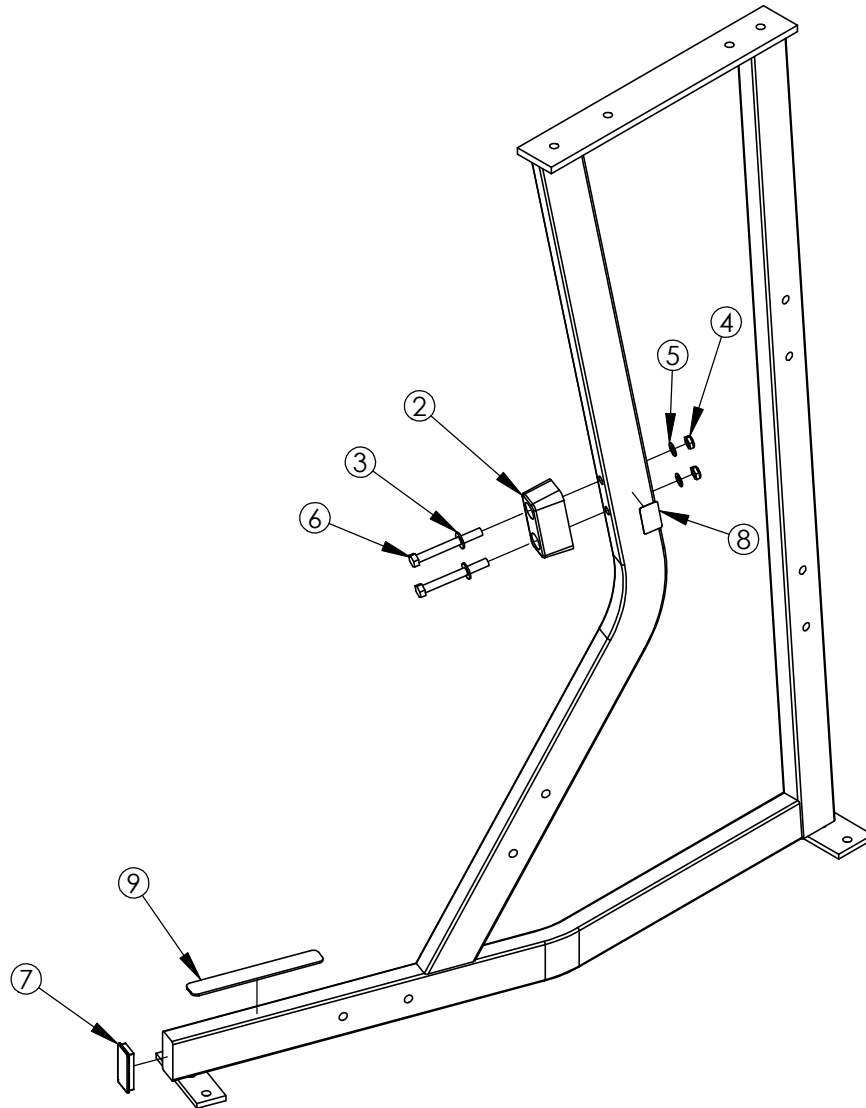


ITEM NO.	QTY.	PART NO.	DESCRIPTION
1	1	ILDCP-ST-0	WLDMT, ILDCP, SEAT FRAME
2	1	SERIAL NUMBER	SERIAL NUMBER
3	1	CSTD-ST2-1	ASSY, STANDARD SEAT 2
4	1	H-SEATRCKS-N	PLASTIC SEAT GUIDES (PP229) NEW)
5	1	H-SEATRCKS-RIB	SEATRACK BACK
6	1	SEAT NUMBER	SEAT ADJ. NUMBER
7	2	HHB.5X2.5	1/2 X 2 1/2 BOLT
8	2	NUT.5JAMLOCK	1/2 THIN LOCK NUT

WEIGHT = 31 lb
 LENGTH = 50"
 WIDTH = 10 1/4"
 HEIGHT = 20 1/2"

HAMMER STRENGTH EQUIPMENT

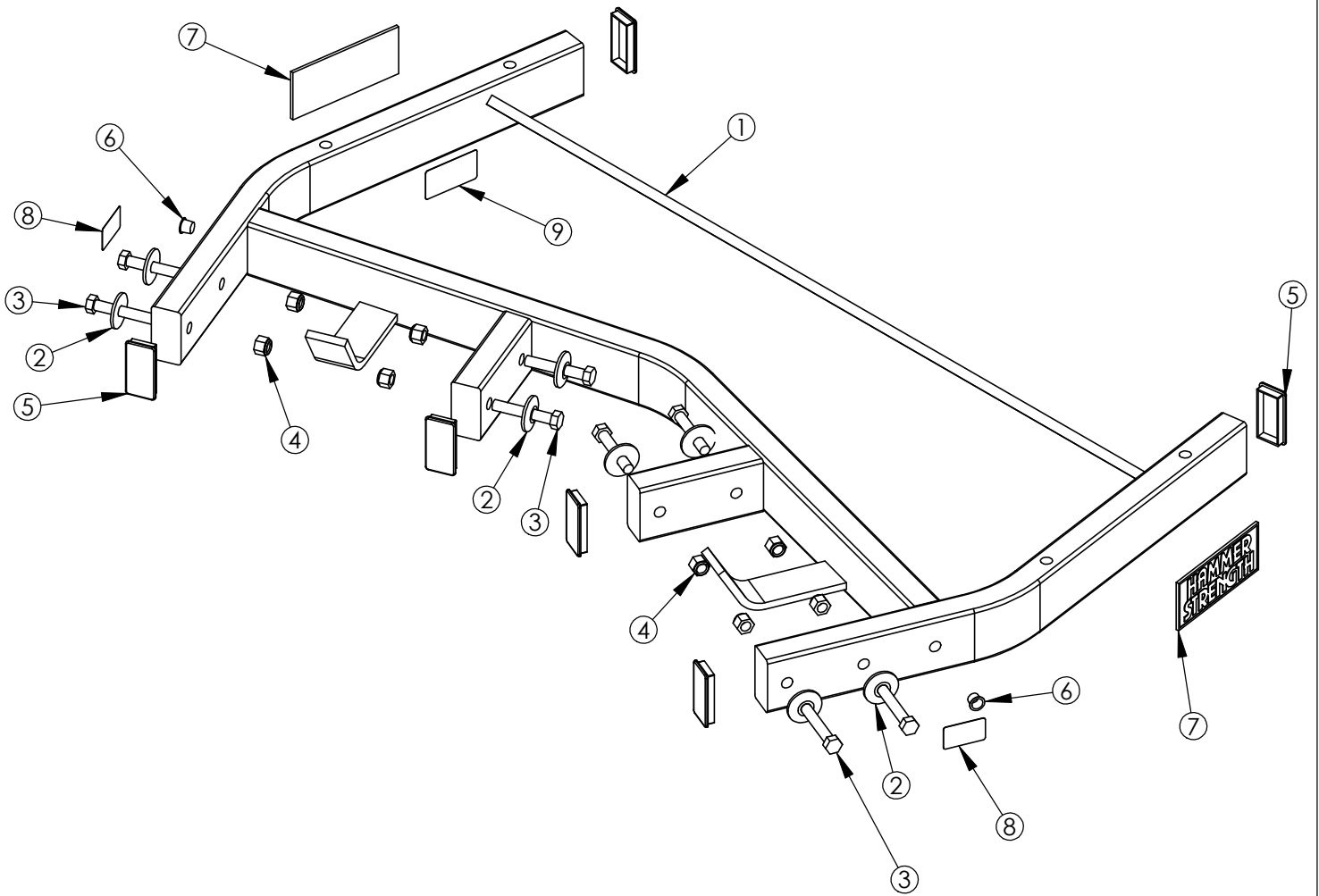
ILDCP-CSFL-1 Left Side Frame Assembly



ITEM NO.	QTY.	PART NO.	DESCRIPTION
1	1	ILDSP-SFL-0	WLDMT, ILDCP, LEFT SIDE FRAME
2	1	H-BUMP-MED	MM2 MEDIUM
3	2	WASH.5SAE	1/2" SAE FLAT WASHER
4	2	NUT.5JAMFINE	1/2IN JAM NUT FINE
5	2	WASH.5STAR	1/2" INTERNAL LOCK WASHER
6	2	HHB.5X4.5	1/2 X 4 1/2 BOLT
7	1	RC1530-1Q1	CAP:1-1/2 X 3 RECTANGLE PLUG
8	1	STAY CLEAR	STAY CLEAR DECAL
9	1	NONSKID 1 X 9	PLASTIC NON SKID STRIP 1 X 9

WEIGHT = 63 lb
 LENGTH = 51"
 WIDTH = 15"
 HEIGHT = 64"

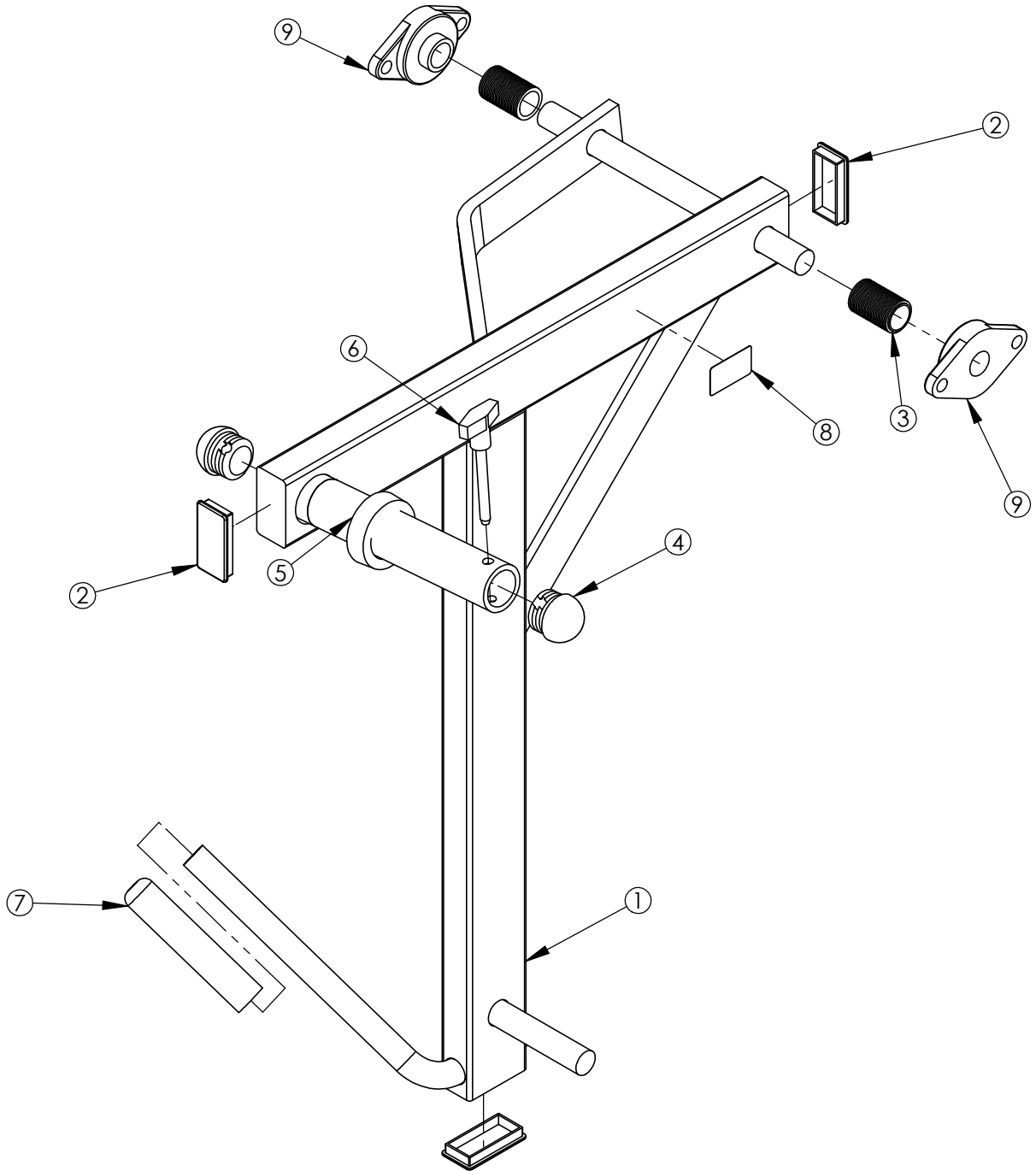
HAMMER STRENGTH EQUIPMENT ILDCP-CTX-1 Workbox Assembly



ITEM NO.	QTY.	PART NO.	DESCRIPTION
1	1	ILDCP-TX-0	WLDMT, ILDCP, TOP FRAME
2	8	H-BACK-WASH	BACKING WASHER
3	8	HHB.5X3	1/2 X 3 BOLT
4	8	NUT.5LOCK	1/2 DIA THICK LOCK NUT
5	6	RC1530-1Q1	CAP:1-1/2 X 3 RECTANGLE PLUG
6	2	H-HPLUG (REG)	9/16IN HOLE PLUG
7	2	H-NAME PLATE	NAMEPLATE (45156-P)
8	2	STAY CLEAR	STAY CLEAR DECAL
9	1	PATENT	PATENT DECAL

WEIGHT = 54 lb
 LENGTH = 29 3/4"
 WIDTH = 49 1/2"
 HEIGHT = 3 1/8"

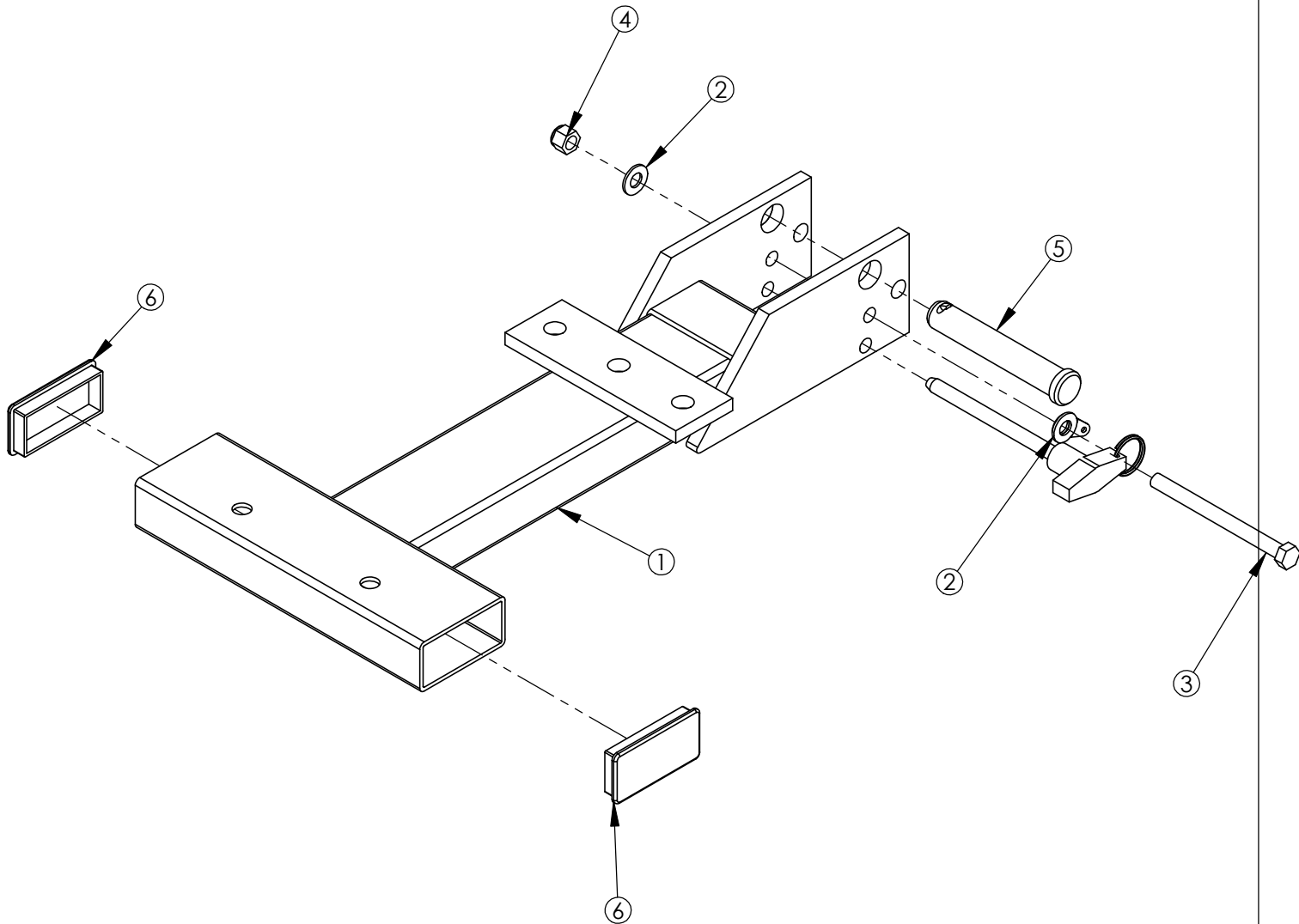
HAMMER STRENGTH EQUIPMENT
ILDPC-CMAL-2 Left Movement Arm Assembly



ITEM NO.	QTY.	PART NO.	DESCRIPTION
1	1	ILDPC-MAL-1	WLDMT, ILDCP, LEFT MARM
2	3	RC1530-1Q1	CAP:1-1/2 X 3 RECTANGLE PLUG
3	2	ACCORDIAN	SHAFT GUARD
4	2	RUBCAP1-2	RUBBER CAP #1
5	1	H-RUBRNG	MM5 RING
6	1	SELECTOR PIN-3	SELECTOR PIN 3 IN.
7	1	H-GRIP	HANDLE GRIPS (.938X16)
8	1	STAY CLEAR	STAY CLEAR DECAL
9	2	H-BEAR-SML	SMALL BEARING

WEIGHT = 37 lb
 LENGTH = 26 1/4"
 WIDTH = 22"
 HEIGHT = 33"

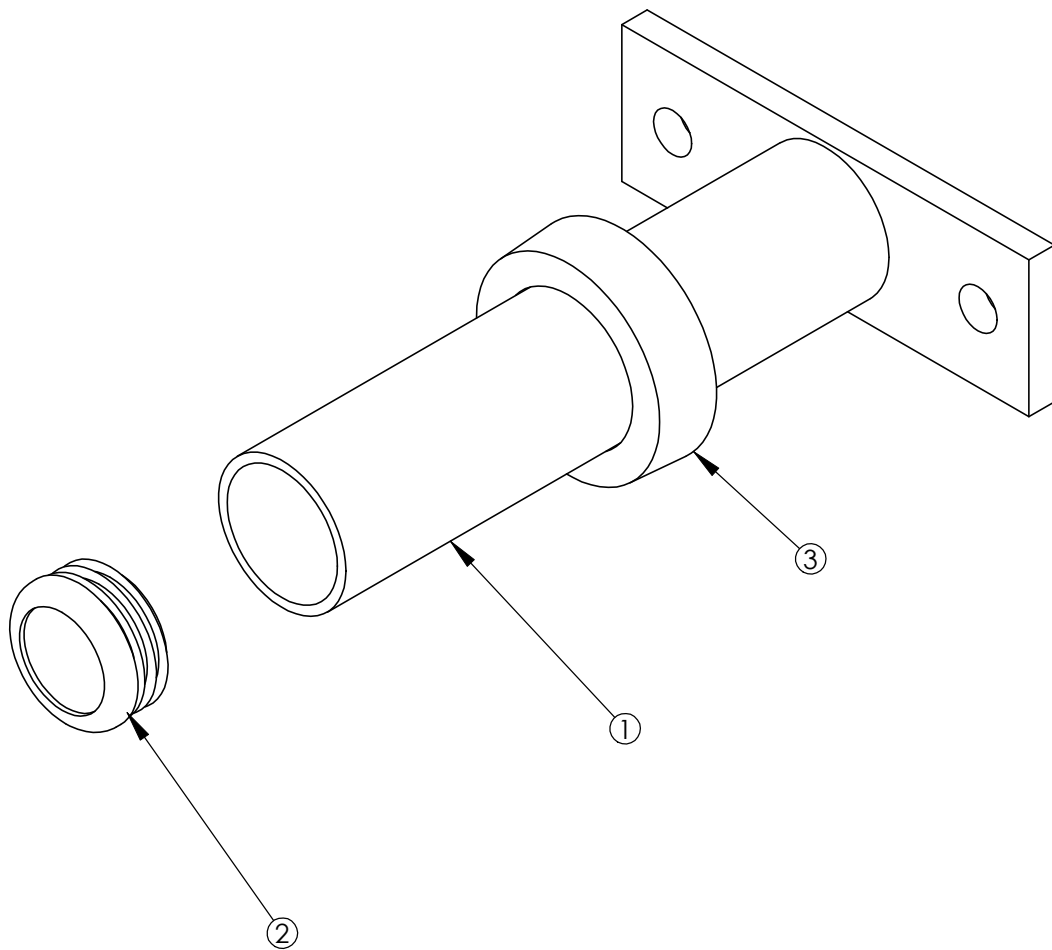
HAMMER STRENGTH EQUIPMENT
CSTD-ST2-1: ASSY, STANDARD SEAT 2



ITEM NO.	QTY.	PART NO.	DESCRIPTION
1	1	STD-ST2	Standard Seat #2
2	2	WASH.375SAE	3/8" SAE FLAT WASHER
3	1	HHB.375X4.5	STEEL BOLT 3/8 X 4.5
4	1	NUT.375LOCK	3/8 THICK LOCK NUT
5	1	STD SEAT PIN	LONG SEAT PIN (HDADJ)
6	2	RC1530-1Q1	CAP:1-1/2 X 3 RECTANGLE PLUG
7	1	SELECTPIN	ASSY, STD SEAT SELECTOR PIN

WEIGHT = 13 lb
 LENGTH = 20 1/2"
 WIDTH = 10 1/4"
 HEIGHT = 3"

HAMMER STRENGTH EQUIPMENT
H-HORN-ASSY: WEIGHT HORN ASSEMBLY



WEIGHT = 3 1/4 lb
LENGTH = 8 5/8"
WIDTH = 6"
HEIGHT = 3"